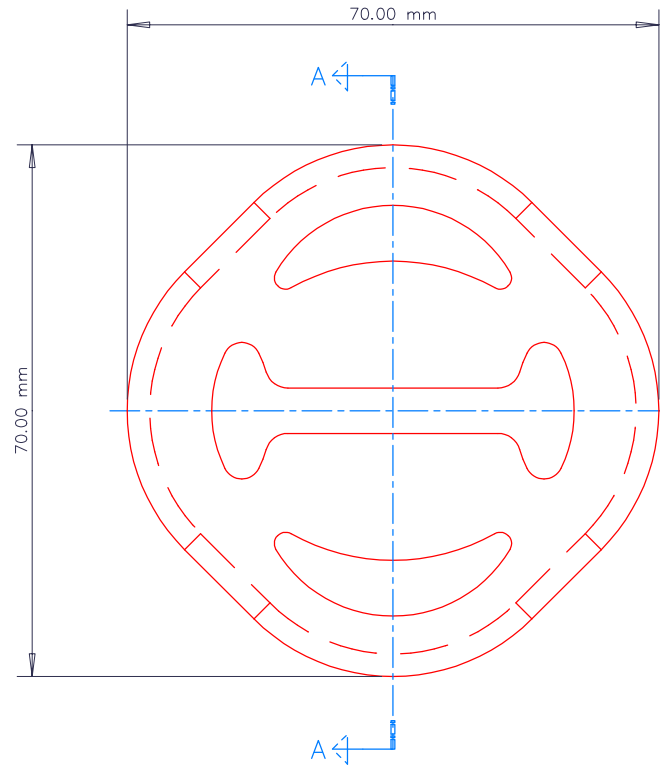
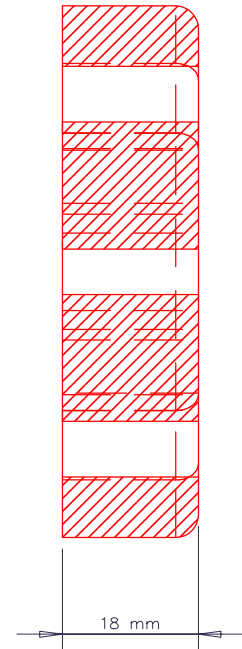




AUXILIARY VIEW (1 : 1)



TOP VIEW (1 : 1)



SECTION A-A (1 : 1)

NOTES:

1. MATERIAL: POLYURETHANE  
HIGH TEMPERATURE SPEC
2. FINISH: COLOUR = RED
3. ALL DIMENSIONS AS PER FINISHED PART.

DESCRIPTION  
EXHAUST MOUNT  
EXH006



© COPYRIGHT. ALL RIGHTS RESERVED  
THIS DRAWING IS STRICTLY CONFIDENTIAL AND MUST NOT BE  
COPIED, REPRODUCED OR ADAPTED, NOR MAY ARTICLES BE  
MANUFACTURED IN ACCORDANCE WITH THE DRAWING WITHOUT  
PRIOR WRITTEN PERMISSION OF POWERFLEX.

MATERIAL  
POLYURETHANE  
DRAWING No.  
EXH006

REV  
0

No	REVISION	BY	CHKD	DATE
0	ORIGINAL ISSUE	PS		23/02/10